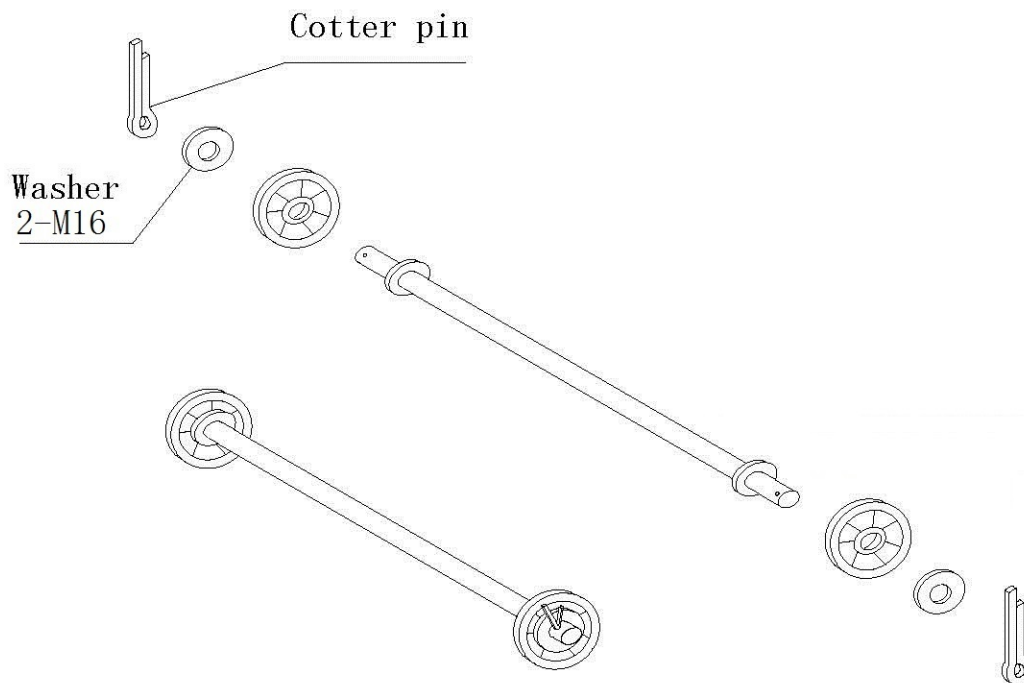
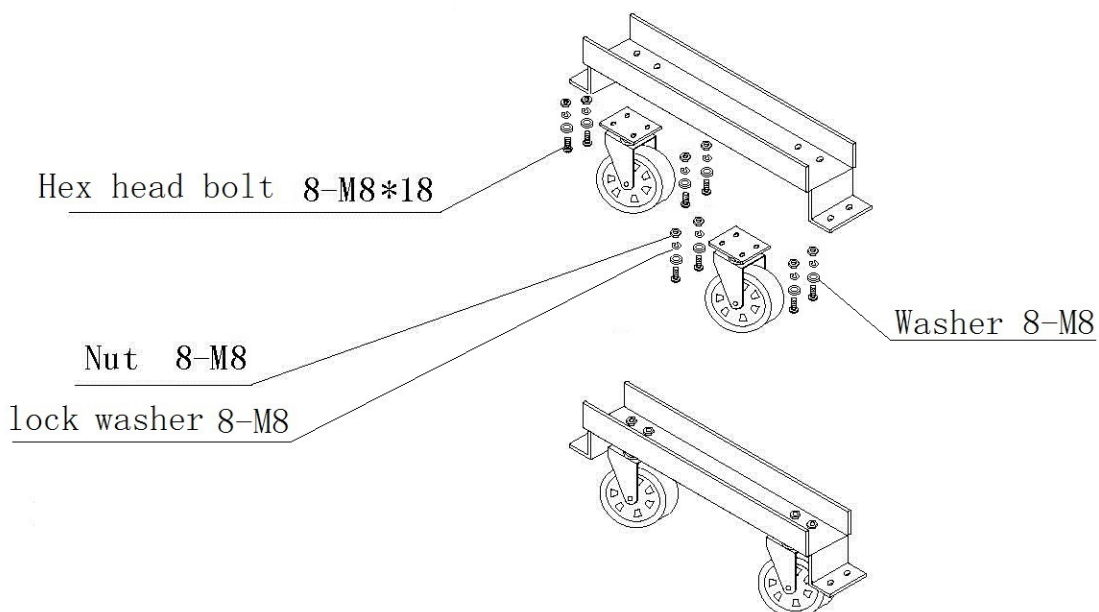


RDC-1000 assembly instruction

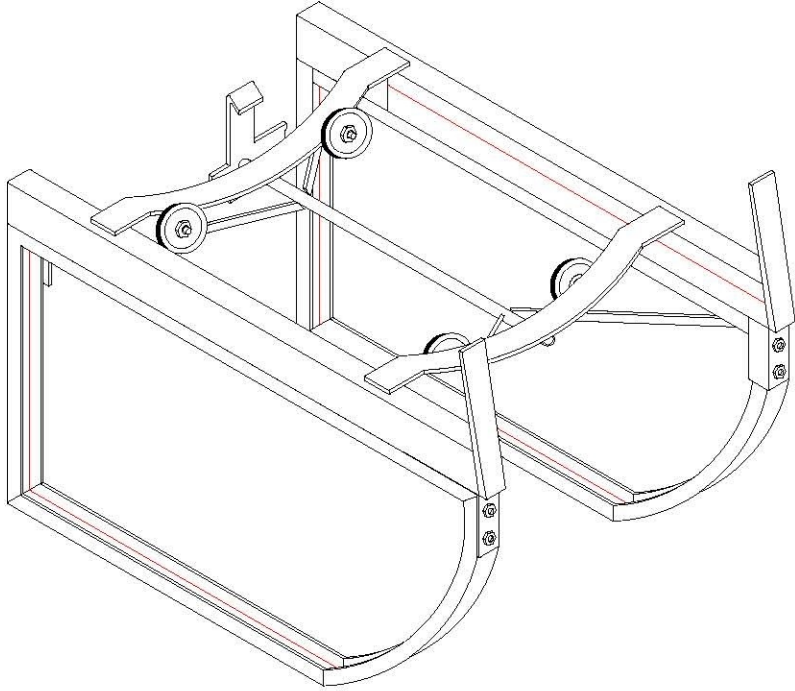
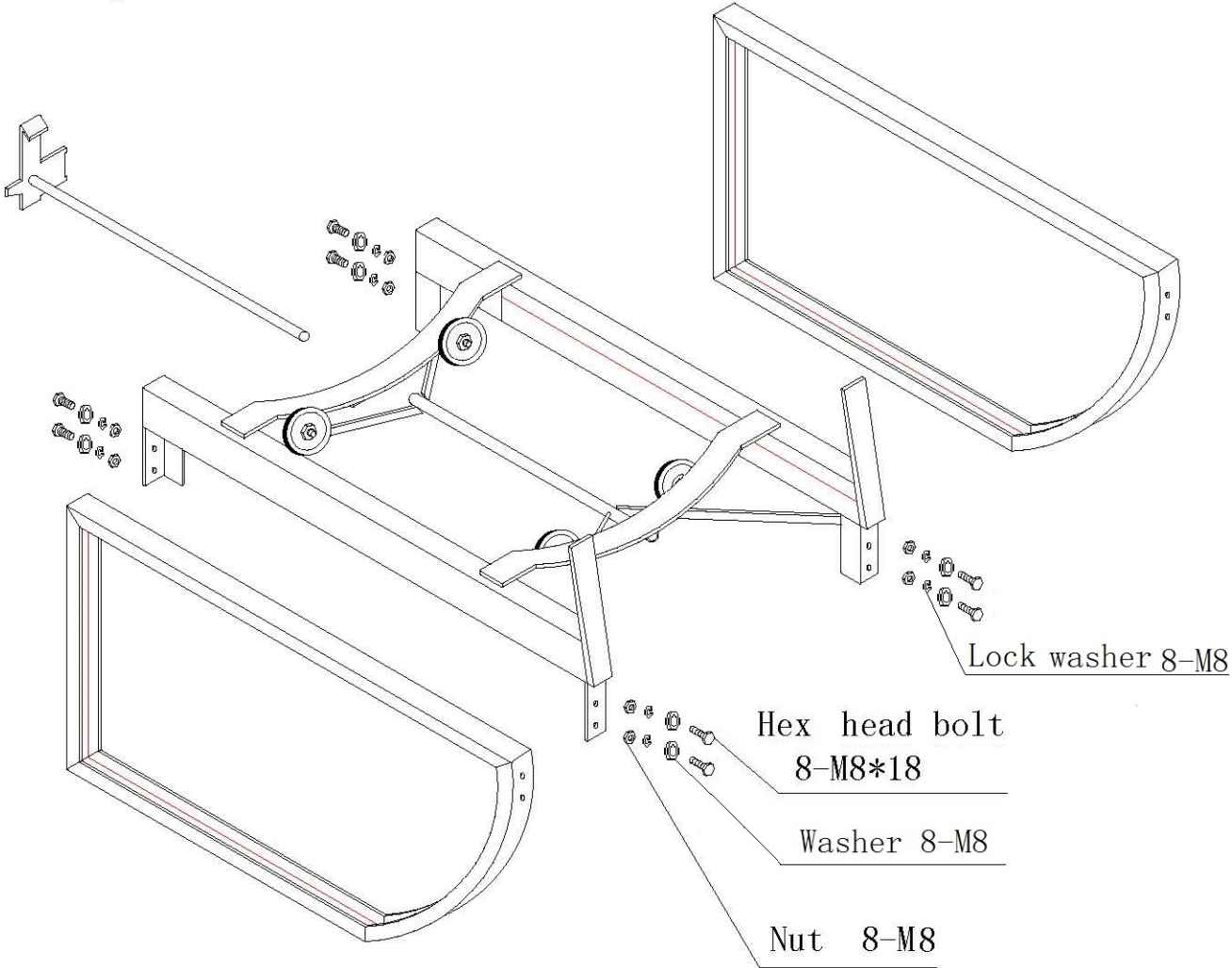
Step 1



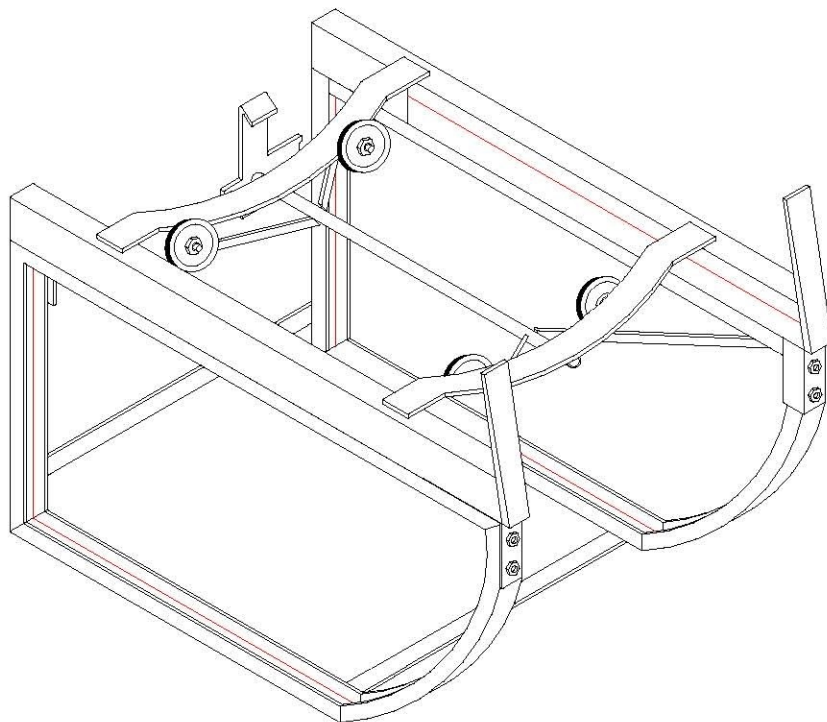
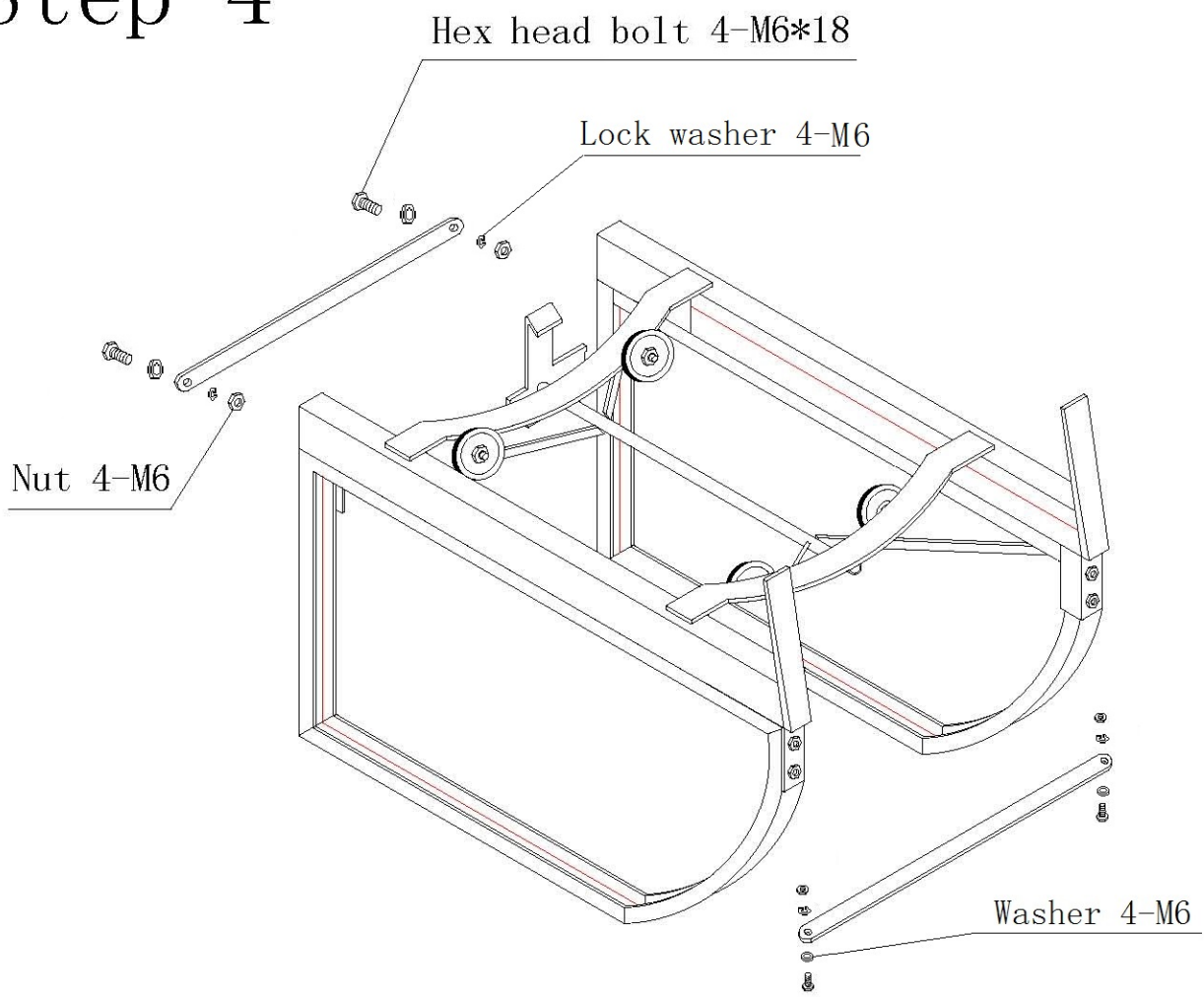
Step 2



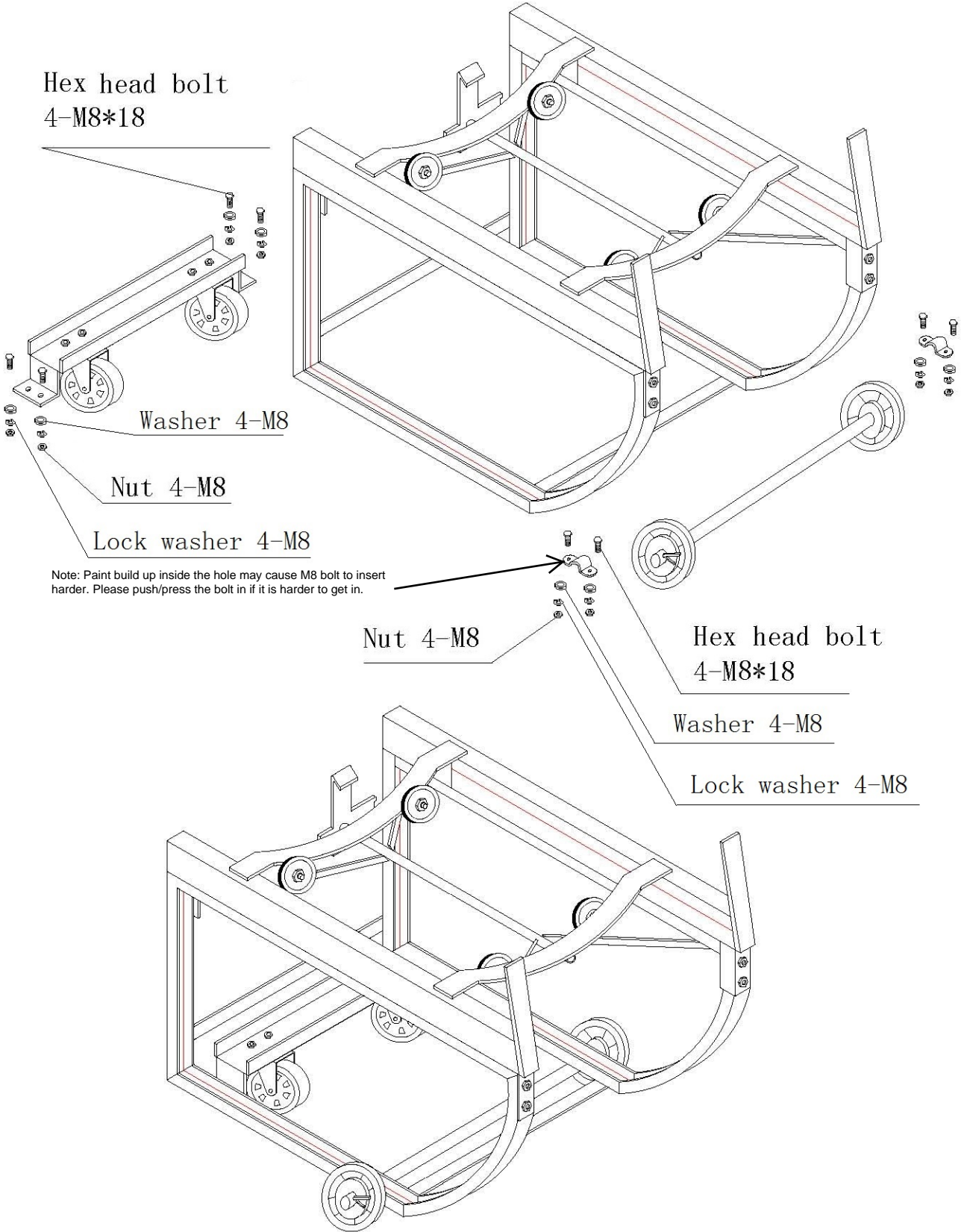
Step 3



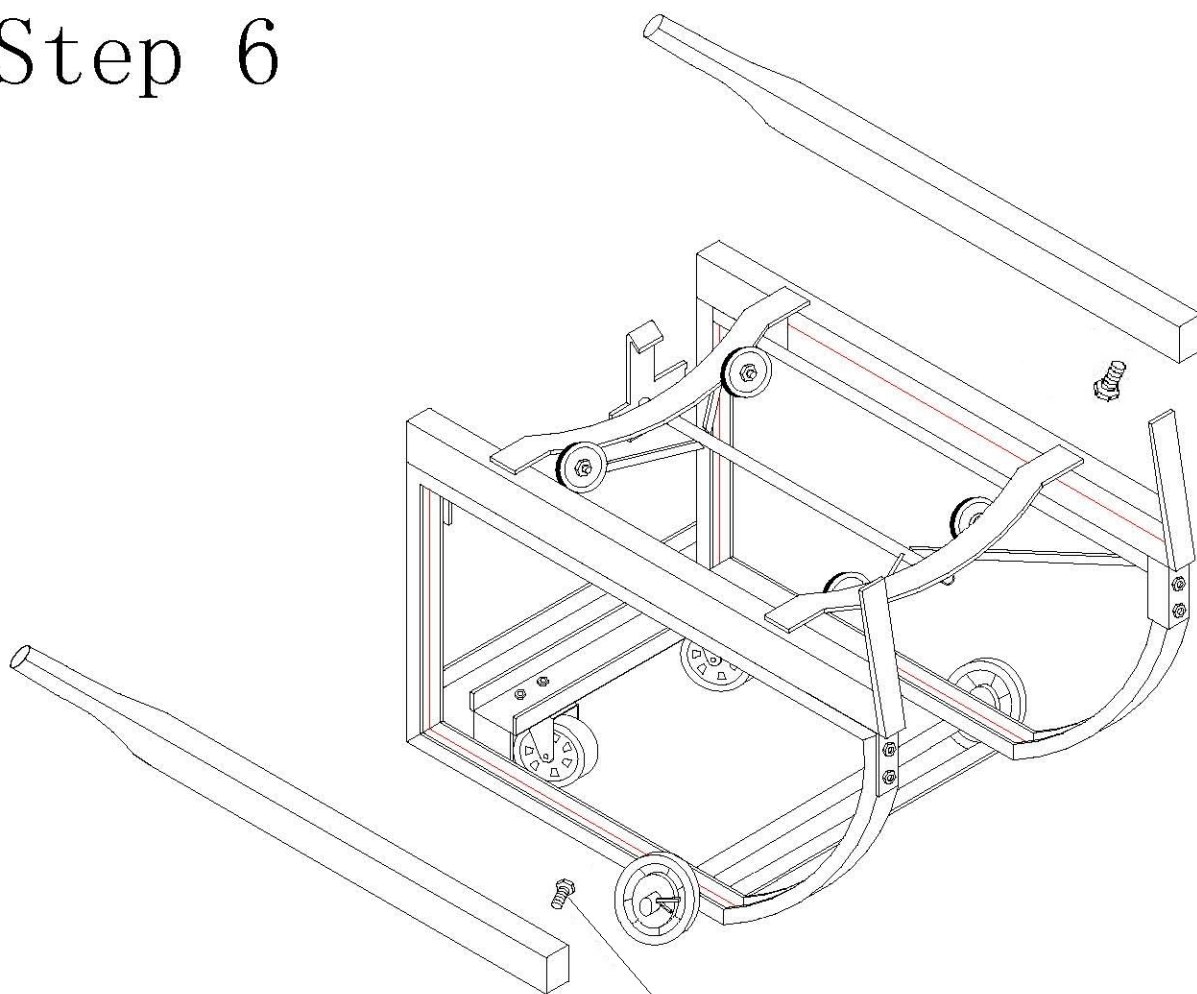
Step 4



Step 5



Step 6



Hex head bolt 2-M8*25

